

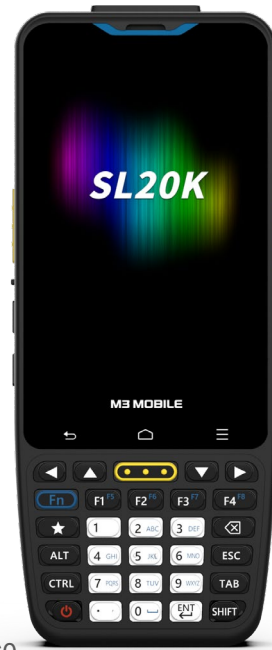


SL20K

Mobile Computer with keypad
Accessories Guide

SL20K

ACC. Map



Power Supply



SL2K-PWSP-CEU

Cradle

SL2K-PWSP-2XX



1-Slot charging only cradle / SL2K-1CRD-C00



2-Slot charging only / SL2K-2CRD-C00
2-Slot charging & USB (Client) / SL2K-2CRD-CC0
2-Slot charging & Ethernet cradle / SL2K-2CRD-EC0



8-Slot charging only / SL2K-8CRD-C00
8-Slot charging & USB (Client) / SL2K-8CRD-E00



UNIV-PWSP-8XX

Trigger



Trigger Handle / SL2K-TRIG-S00

Etc.



Hand strap (10/50 pcs) / SL2K-STRP (-S10/-S50)



LCD Protect Film / SL2K-SCPR



Rubber boot / SL2K-BOOT-01

Battery



Battery(5,100mAh) / SL2K-BATT-S51

Power Supply

Charging

Compatible



SL2K-PWSP-CEU

SL20K USB Adaptor

MODEL	SL2K-PWSP-CEU
Input	100~240VAC
Output	5VDC / 2A
Compatibility	SL20K



L2KW0C-T2CWAS-HF-01
L2KW0C-TECWAS-HF-01
L2KX4C-T2CWAS-HF-01
L2KX4C-TECWAS-HF-01
L2KW0C-TERWAS-00-01
L2KW0C-TERWAS-00-02

1 Slot Cradle

Charging

Compatible



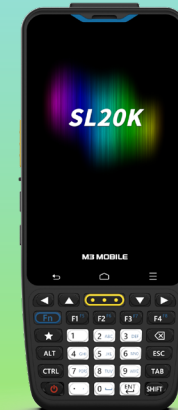
SL2K-1CRD-C00

1-Slot charging only cradle

MODEL	SL2K-1CRD-C00
I/O	DC
Input	5V / 3A
Dimension	112x156x78.3
Weight	290g
Compatibility	SL20K



SL2K-PWSP-2XX



- L2KW0C-T2CWAS-HF-01
- L2KW0C-TECWAS-HF-01
- L2KX4C-T2CWAS-HF-01
- L2KX4C-TECWAS-HF-01
- L2KW0C-TERWAS-00-01
- L2KW0C-TERWAS-00-02



SL2K-BATT-S51
Battery(5,100mAh)

2 Slot Cradle

Charging

Compatible



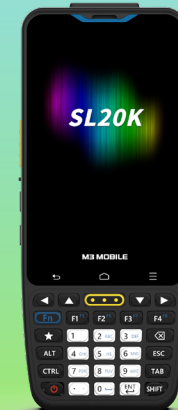
SL2K-2CRD-C00

2-Slot charging only cradle

MODEL	SL2K-2CRD-C00
I/O	DC
Input	5V / 3A
Dimension	112x156x78.3
Weight	290g
Compatibility	SL20K



SL2K-PWSP-2XX



- L2KW0C-T2CWAS-HF-01
- L2KW0C-TECWAS-HF-01
- L2KX4C-T2CWAS-HF-01
- L2KX4C-TECWAS-HF-01
- L2KW0C-TERWAS-00-01
- L2KW0C-TERWAS-00-02



SL2K-BATT-S51
Battery(5,100mAh)

2 Slot Cradle

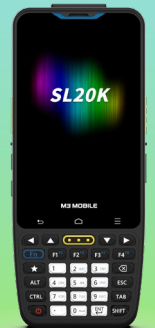
Charging & Data transfer



Compatible



SL2K-PWSP-2XX



- L2KW0C-T2CWAS-HF-01
- L2KW0C-TECWAS-HF-01
- L2KX4C-T2CWAS-HF-01
- L2KX4C-TECWAS-HF-01
- L2KW0C-TERWAS-00-01
- L2KW0C-TERWAS-00-02



SL2K-BATT-S51
Battery(5,100mAh)

SL2K-2CRD-CC0

2-Slot charging & USB (Client) cradle

MODEL	SL2K-2CRD-CC0
I/O	DC / USB-C type Client
Input	5V / 3A
Dimension	112x156x78.3
Weight	290g
Compatibility	SL20K

SL2K-2CRD-EC0

2-Slot charging & Ethernet cradle

MODEL	SL2K-2CRD-EC0
I/O	DC / USB-C type Client / ETHERNET PORT
Input	12V / 3A
Dimension	105x154x86mm
Weight	DC / USB-C type Client / ETHERNET PORT
Compatibility	SL20K

Power Supply

Charging

Compatible



SL2K-PWSP-2XX

Power Supply for 1 slot/2 slot cradle

MODEL	SL2K-PWSP-2XX
Input	100~240VAC
Output	5VDC / 3A
Compatibility	SL20K

Depending on the type of connector at the end

SL2K-PWSP-2EU
SL2K-PWSP-2KR



SL2K-1CRD-C00
1 Slot Cradle



SL2K-2CRD-C00
SL2K-2CRD-CC0
2 Slot Cradle

8 Slot Cradle

Charging

Compatible



SL2K-8CRD-C00

8-Slot charging only cradle

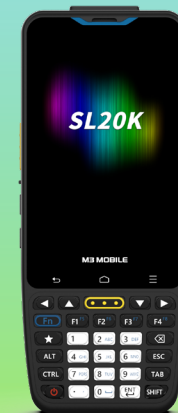
MODEL	SL2K-8CRD-C00
I/O	DIN4
Input	12V / 7A
Dimension	450x156x88.3
Weight	720g
Compatibility	SL20K



UNIV-PWSP-8XX



SL2K-BATT-S51
Battery(5,100mAh)



L2KW0C-T2CWAS-HF-01
L2KW0C-TECWAS-HF-01
L2KX4C-T2CWAS-HF-01
L2KX4C-TECWAS-HF-01
L2KW0C-TERWAS-00-01
L2KW0C-TERWAS-00-02

8 Slot Cradle

Charging & Data transfer

Compatible



SL2K-8CRD-E00

8-Slot Charging & Ethernet Cradle

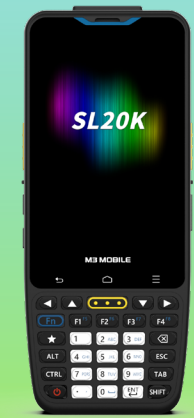
MODEL	SL2K-8CRD-E00
I/O	DIN4
Input	12V / 7A
Dimension	450x156x88.3
Weight	720g
Compatibility	SL20K



UNIV-PWSP-8XX



SL2K-BATT-S51
Battery(5,100mAh)



- L2KW0C-T2CWAS-HF-01
- L2KW0C-TECWAS-HF-01
- L2KX4C-T2CWAS-HF-01
- L2KX4C-TECWAS-HF-01
- L2KW0C-TERWAS-00-01
- L2KW0C-TERWAS-00-02

Power Supply

Charging

Compatible



UNIV-PWSP-8XX

Power Supply for 8 slot cradle

MODEL	UNIV-PWSP-8XX
Input	100~240VAC
Output	12VDC / 7A
Compatibility	SL20K

Depending on the type of connector at the end

UNIV-PWSP-8 **EU**
UNIV-PWSP-8 **KR**



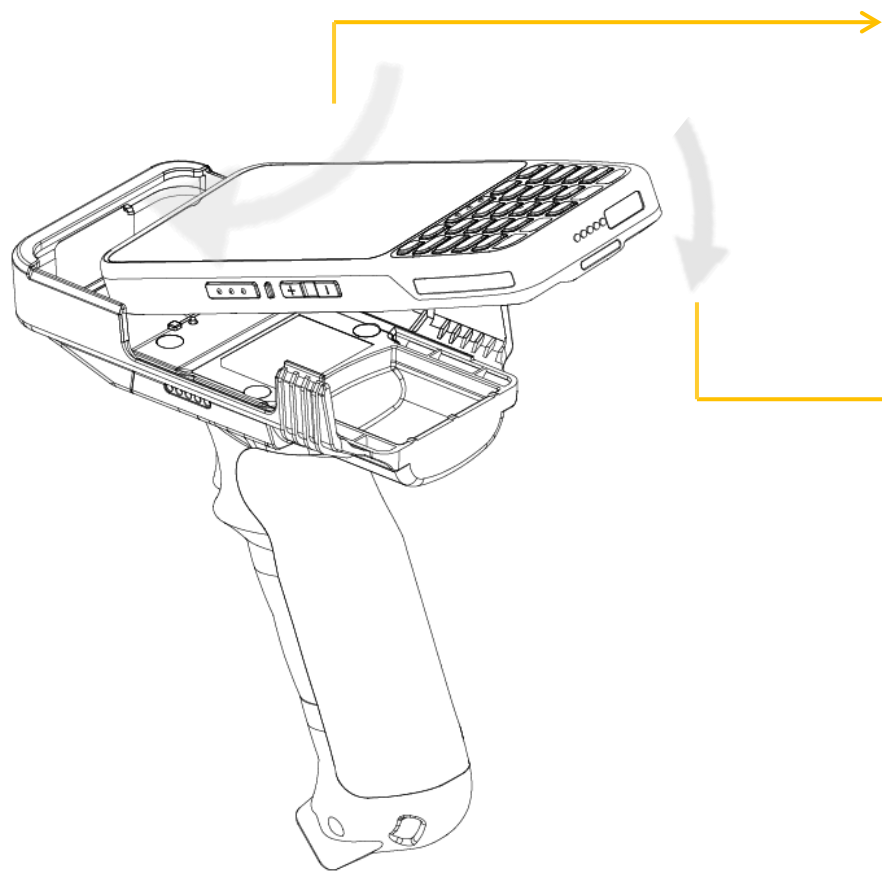
SL2K-8CRD-C00
SL2K-8CRD-E00
8 Slot Cradle

How to use SL20K Trigger

Watch the video for a detailed guide.



When combining the SL20K device with a trigger



① Align the top part of the device with the top opening of the boot and insert it first.

② Place the boot on a stable surface or hold it firmly in your palm.

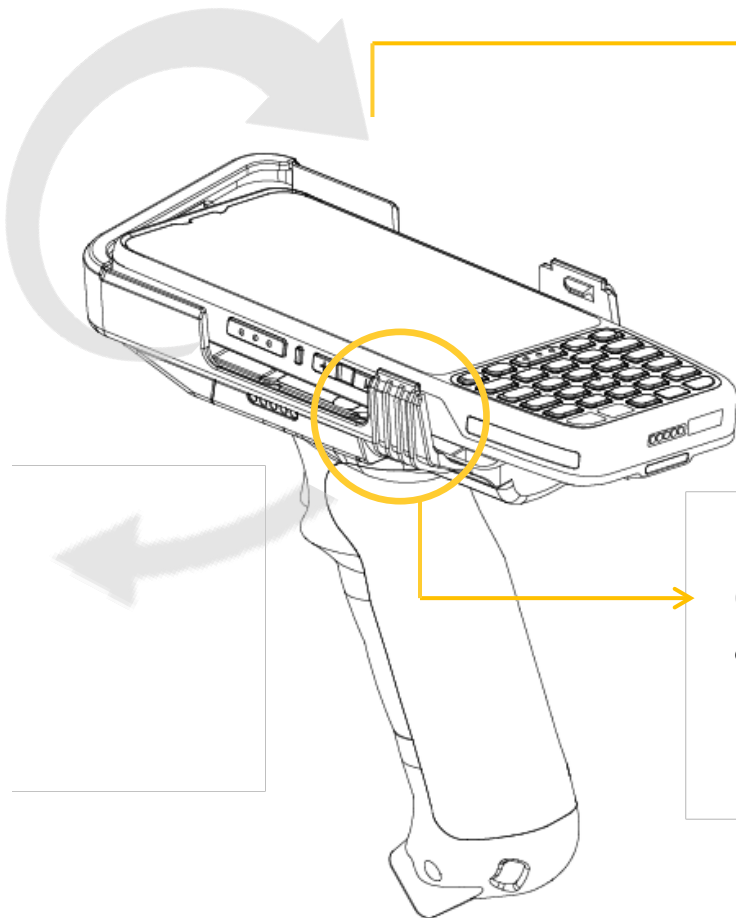
Then, press down firmly on the bottom part of the device (keypad area) until you hear a "click" sound, ensuring a secure attachment to the boot.

How to use SL20K Trigger

Watch the video for a detailed guide.



When detaching the SL20K device from the trigger



② Pull the device downward while simultaneously rotating it to the right to detach it from the boot. (At this time, firmly grip the trigger handle with your left hand.)

① Push the designated guide holder as far to the left as possible using your thumb.

Trigger

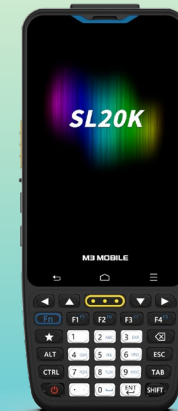


SL2K-TRIG-S00

Trigger Handle for SL20K

MODEL	SL2K-TRIG-S00
Dimension	130 x 75x 166mm
Weight	120g
Compatibility	SL20K

Compatible



L2KW0C-T2CWAS-HF-01
L2KW0C-TECWAS-HF-01
L2KX4C-T2CWAS-HF-01
L2KX4C-TECWAS-HF-01
L2KW0C-TERWAS-00-01
L2KW0C-TERWAS-00-02



**SL2K-STRP
(-S10/-S50)**

Hand strap
(10/50 pcs)



SL2K-SCPR

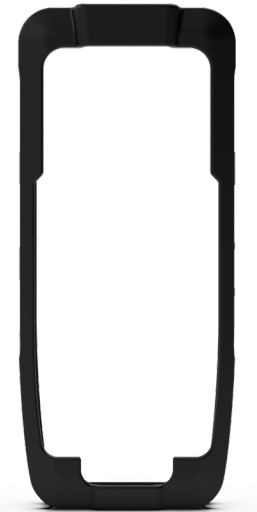
LCD Protect Film



SL2K-BATT-S51

Battery(5,100mAh)

etc.
Miscellaneous



SL2K-BOOT-01

Rubber boot